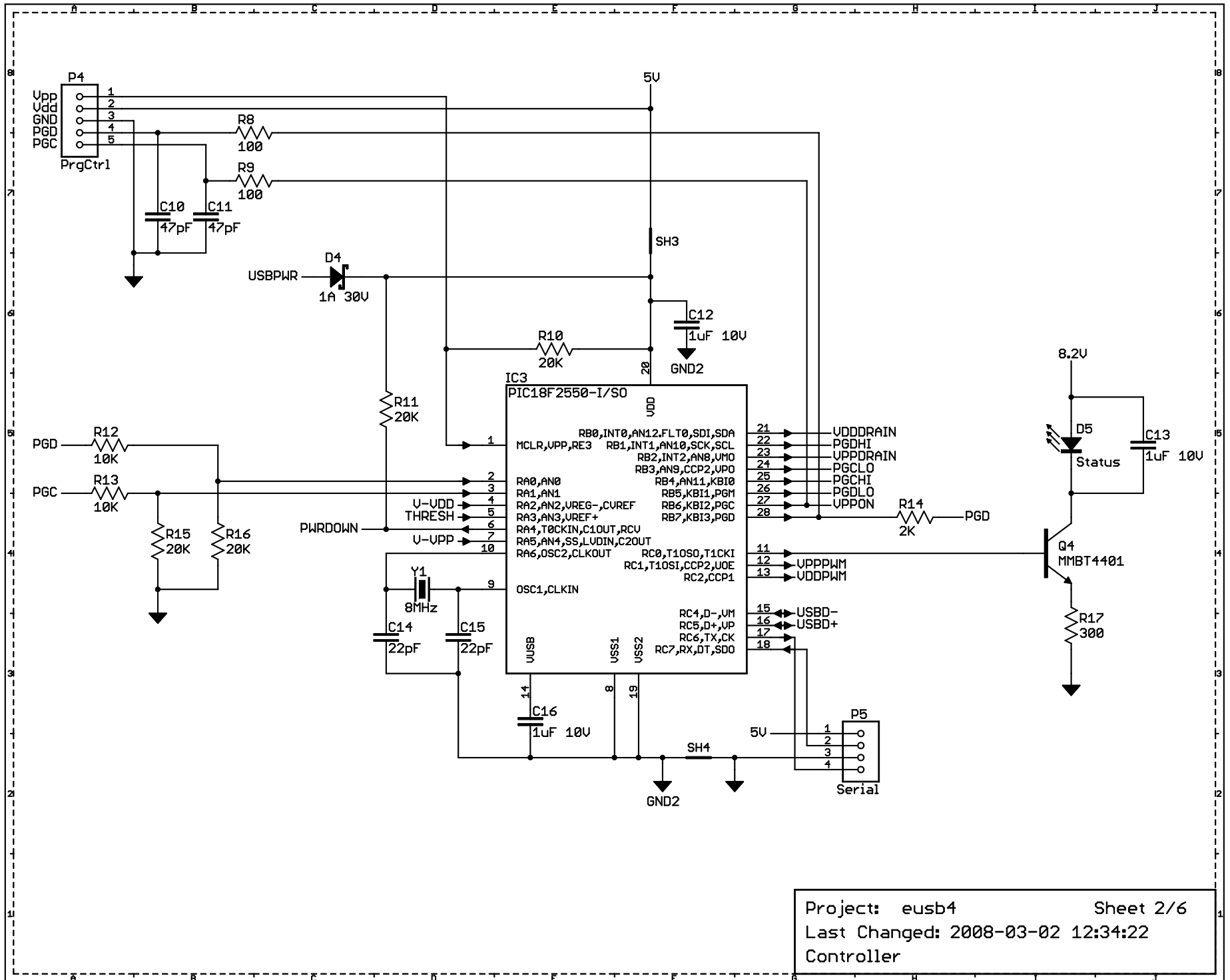
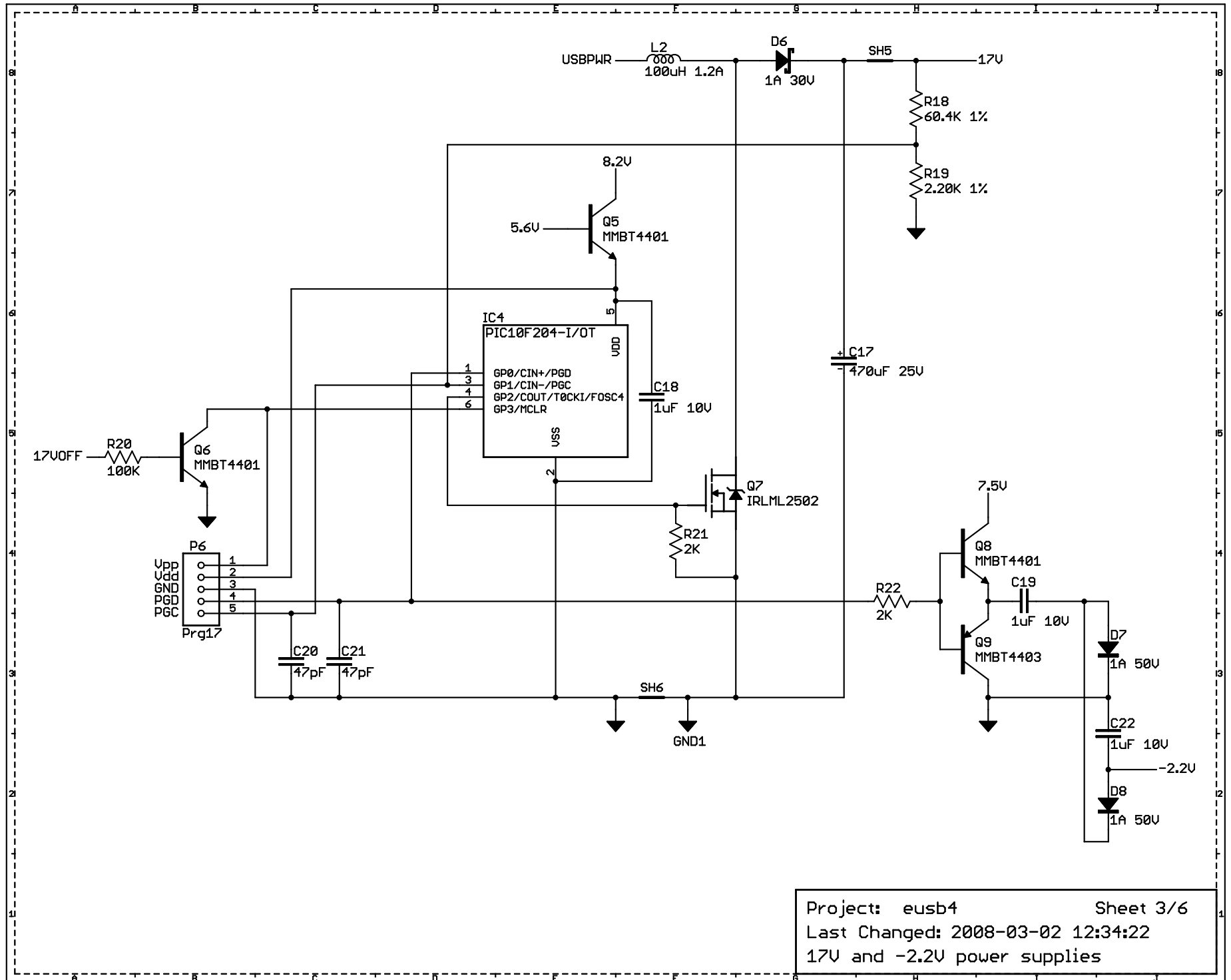
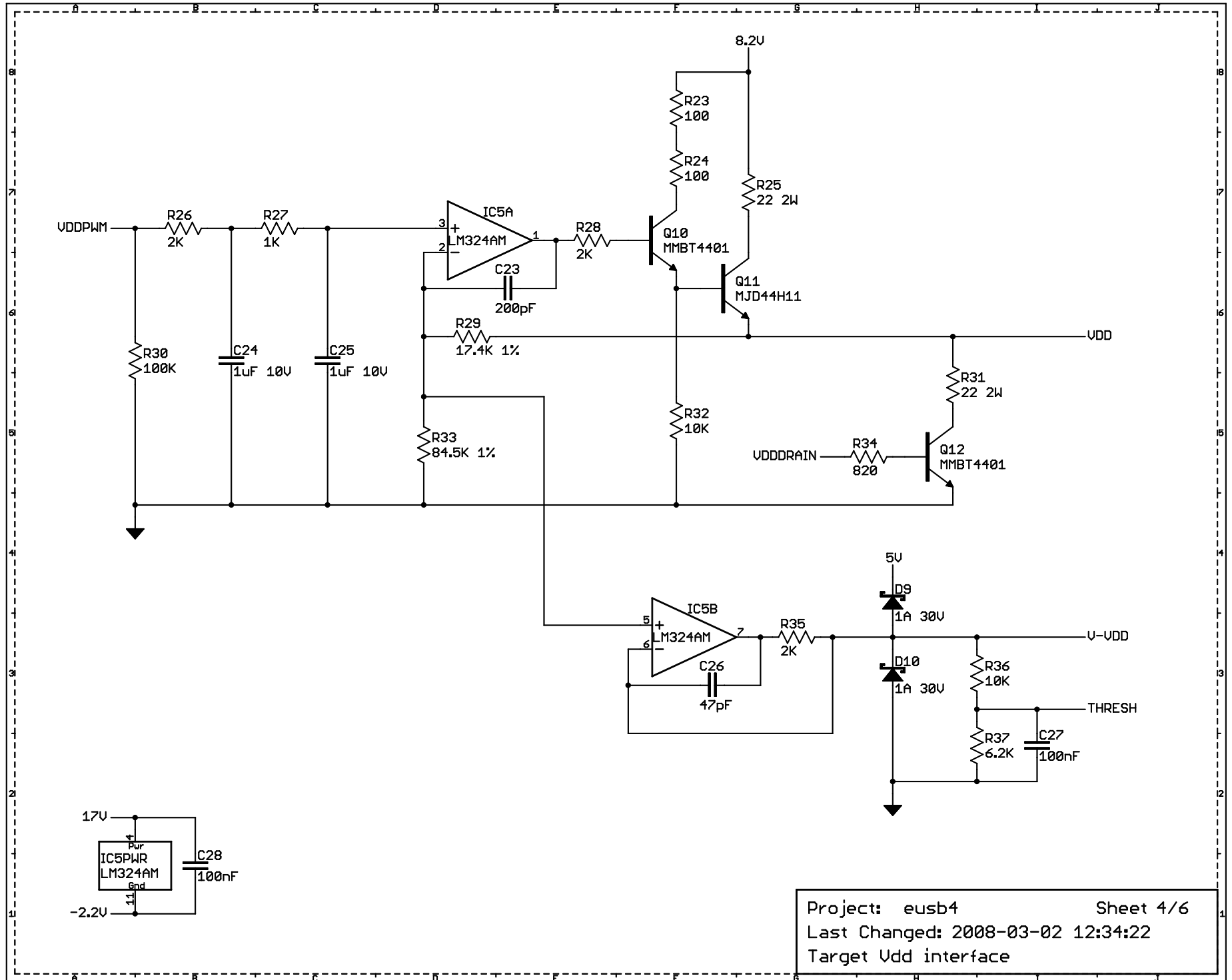


Project: eusb4  
 Sheet 1/6  
 Last Changed: 2008-03-02 12:34:22  
 7.5V and 5.0V power supplies

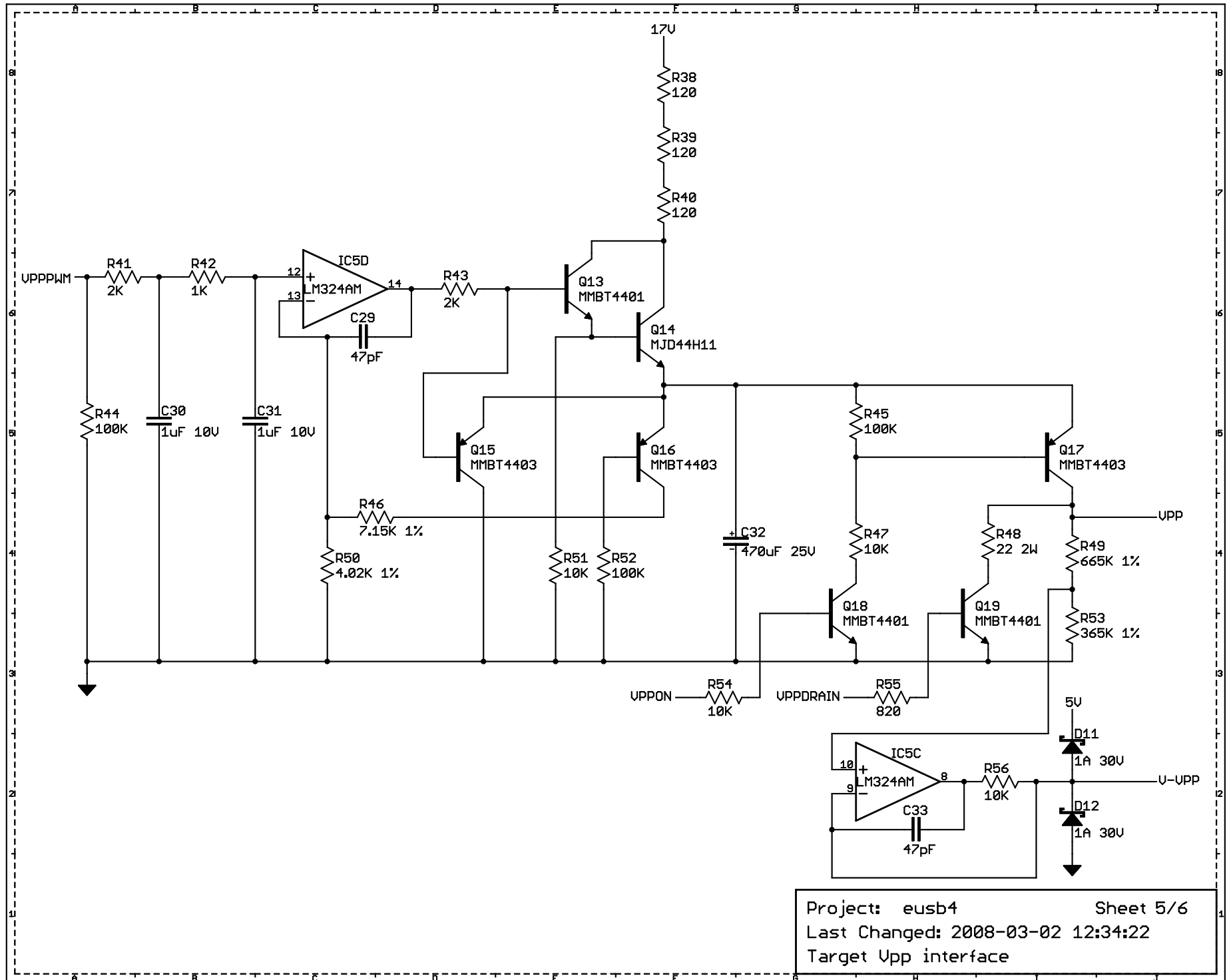


Project: eusb4 Sheet 2/6  
 Last Changed: 2008-03-02 12:34:22  
 Controller

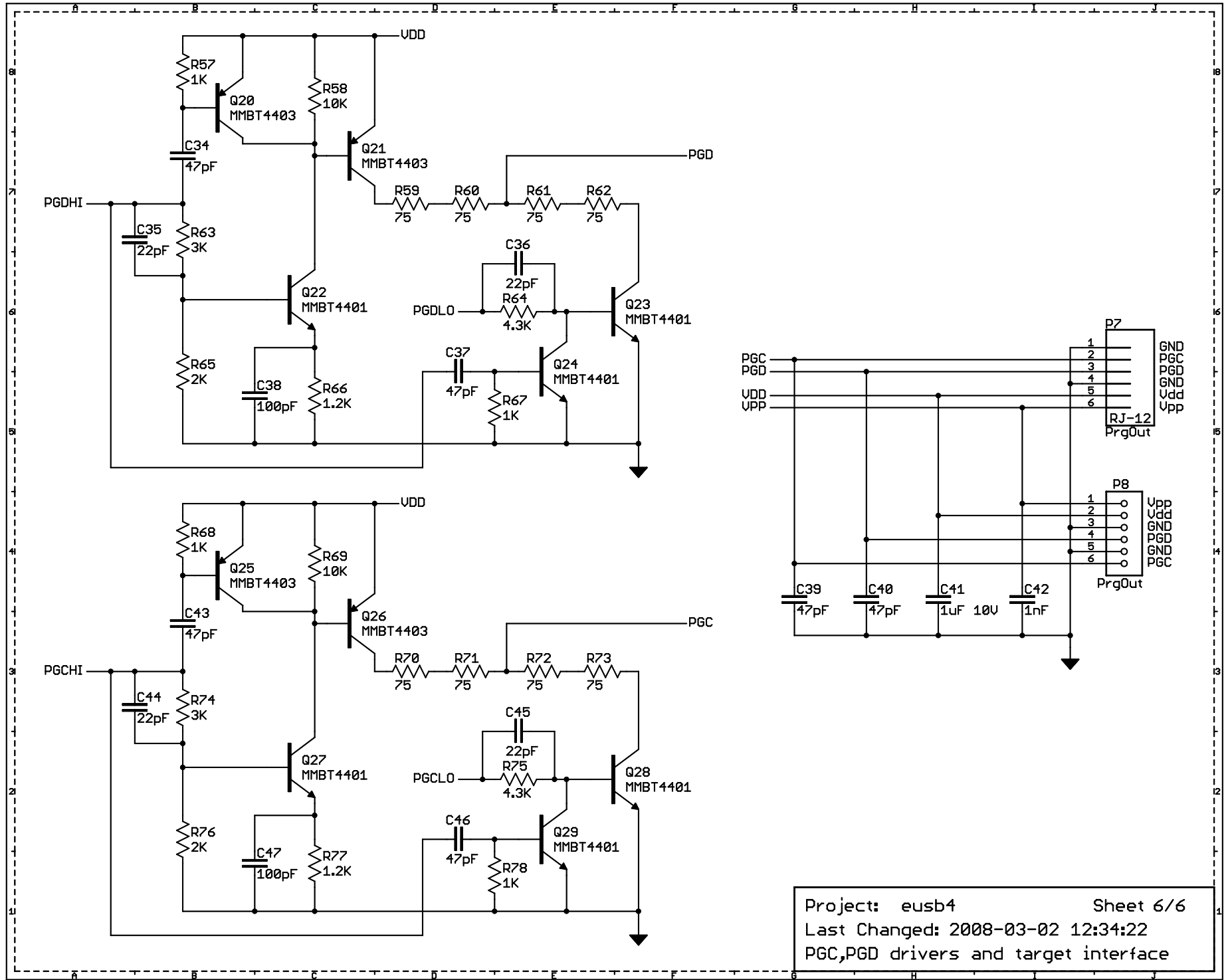




Project: eusb4                      Sheet 4/6  
 Last Changed: 2008-03-02 12:34:22  
 Target Udd interface



Project: eusb4 Sheet 5/6  
 Last Changed: 2008-03-02 12:34:22  
 Target Upp interface



Project: eusb4 Sheet 6/6  
 Last Changed: 2008-03-02 12:34:22  
 PGC,PGD drivers and target interface